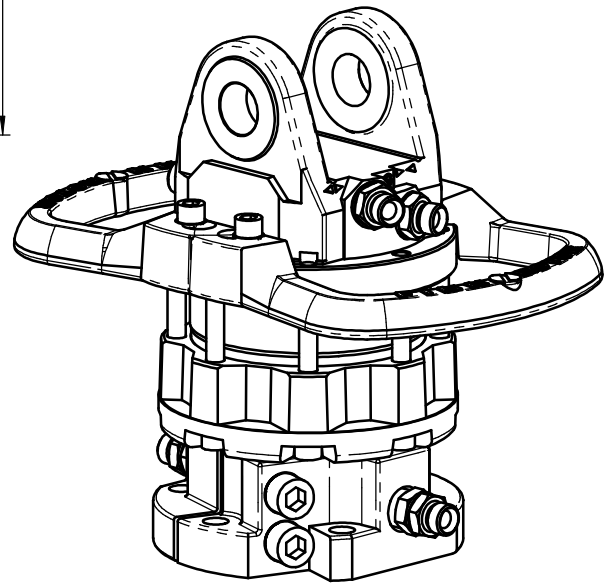
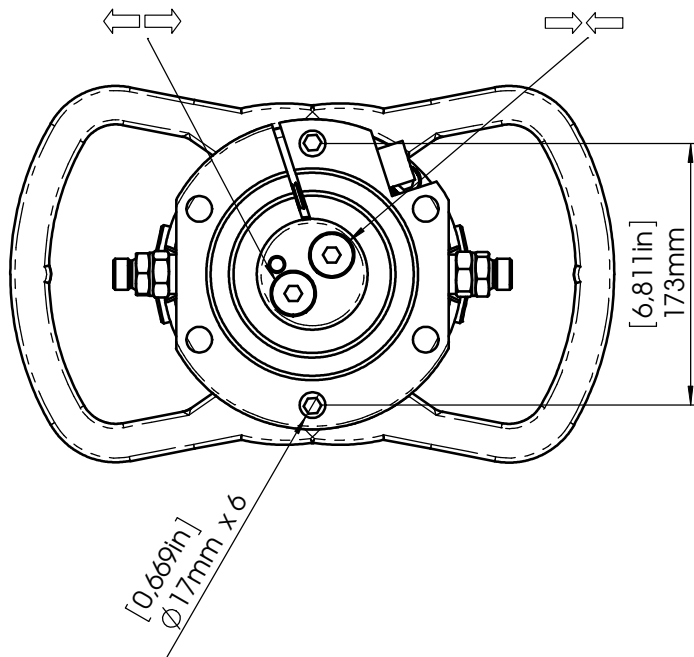
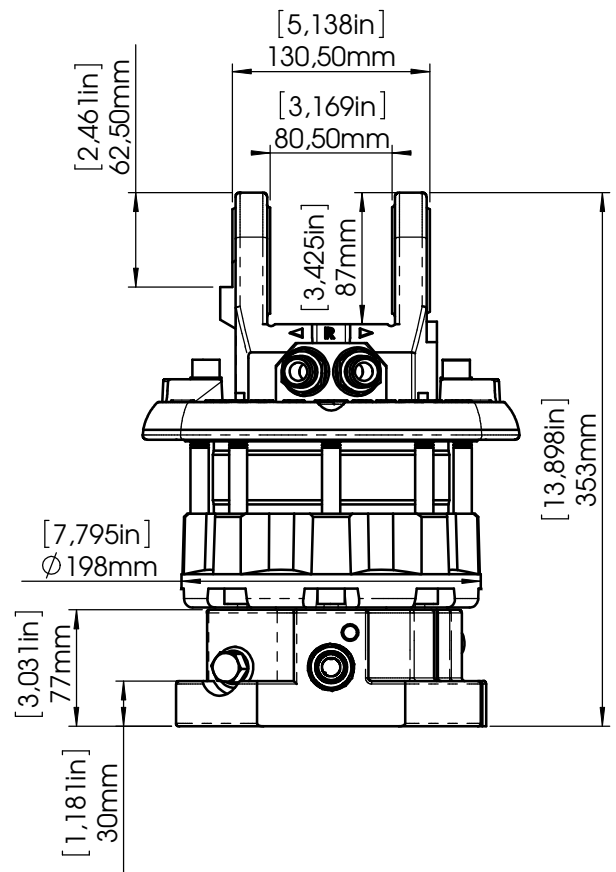
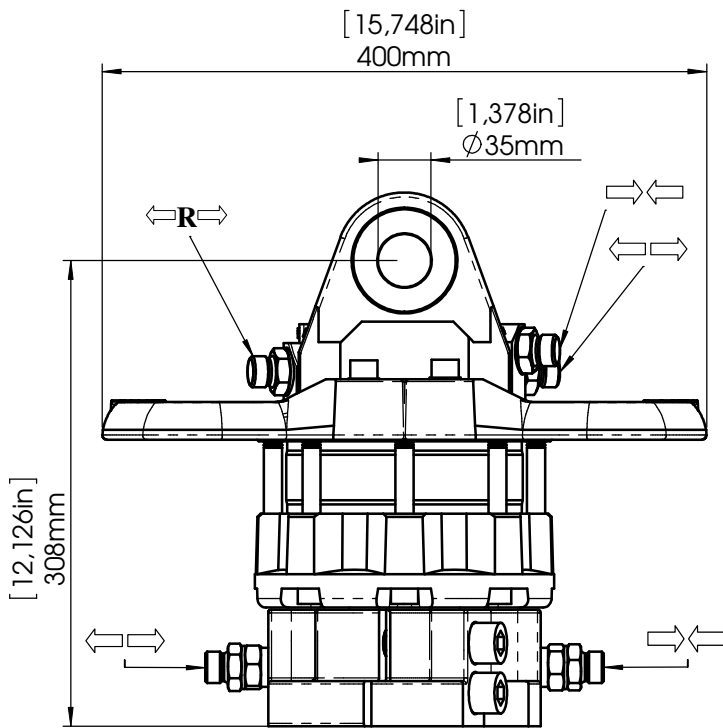


Rotator CR 600F



CR 600F	
Rotation angle	Unlimited
Max. working pressure	250 bar
Displacement	670 cm ³
Torque (250 bar)	1800 Nm
Max. axial load static kN	60 kN
Max. axial load dynamic kN	30 kN
Weight	50 kg